

## TECHNICAL SPECIFICATION

### AC TRIAC RF DIMMER

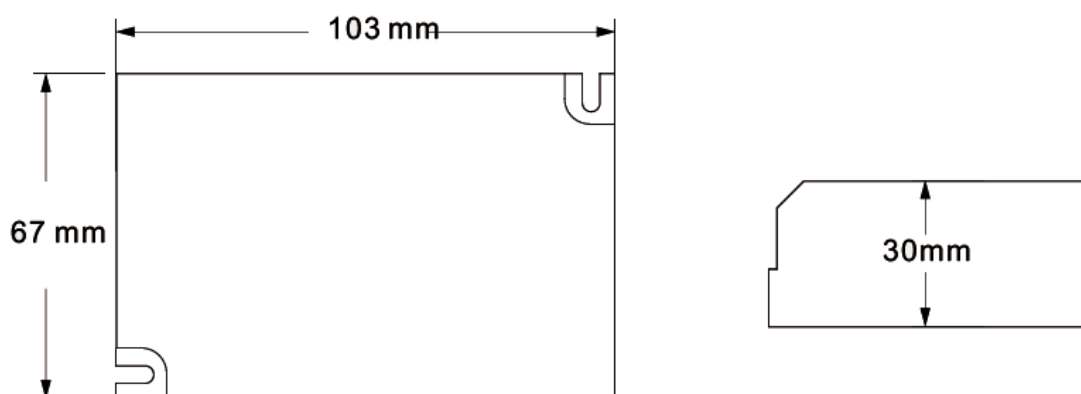


- Triac dimmable.
- Leading edge dimming or trailing edge dimming set by dip switch.
- Minimum brightness set by dip switch.
- Great compatibility with a variety of dimming remoter.
- To dim and switch single color dimmable LED lamps, traditional incandescent and halogen lights.
- Can work with Wi-Fi Relay controller after install APP on IOS and Android system.

## Technical data:

<b>Input voltage:</b>	100-240VAC
<b>Output voltage:</b>	100-240VAC
<b>Output current:</b>	1.2A
<b>Output power:</b>	100-288W
<b>Remote distance:</b>	30m
<b>Working temperature:</b>	-30°C~55°C
<b>Product size:</b>	L103×W67×H30mm
<b>Net weight:</b>	73g
<b>Catalogue number:</b>	99DIMMERT1

## Dimensions:



## Match key function:

**Short press:** Within 5s, press any key of the remoter for match.

Multi-zone remoter must press zone key.

**Long press (5s):** Delete all matched remoter, lights remain in the current state.

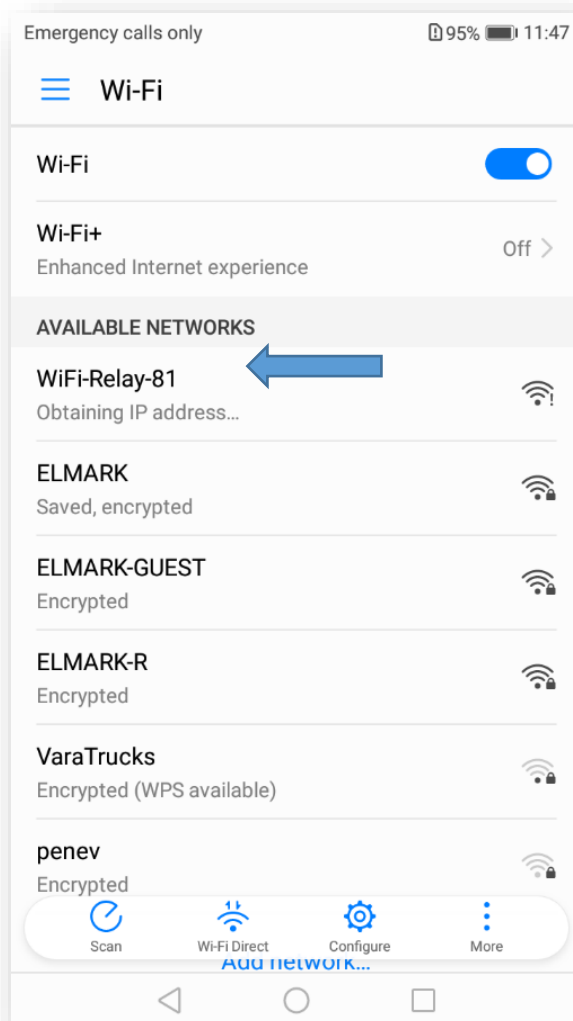
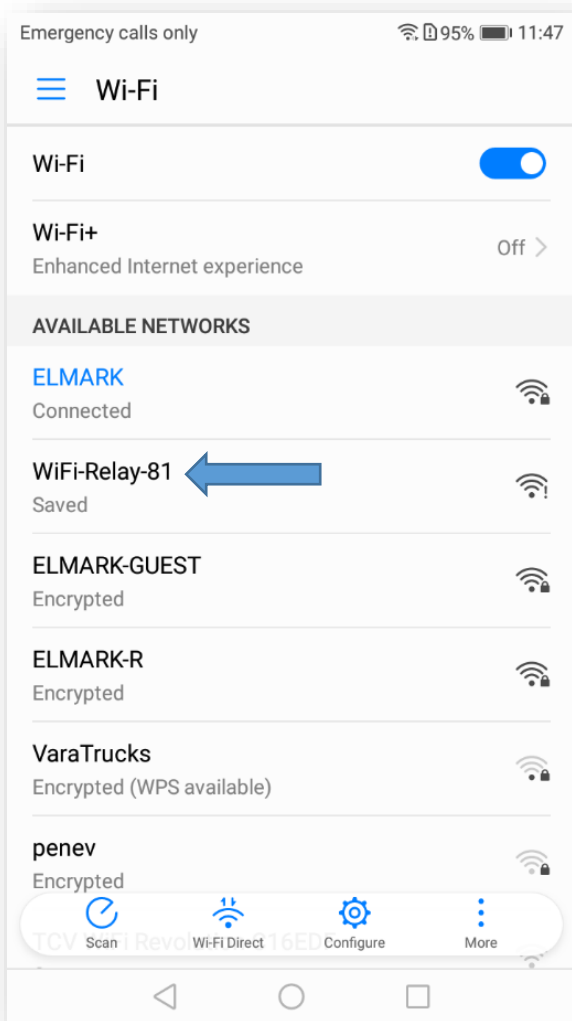
**Long press (10s):** Restore factory default parameters.

## ➤ How to connect AC TRIAC RF DIMMER with Wi-Fi devices

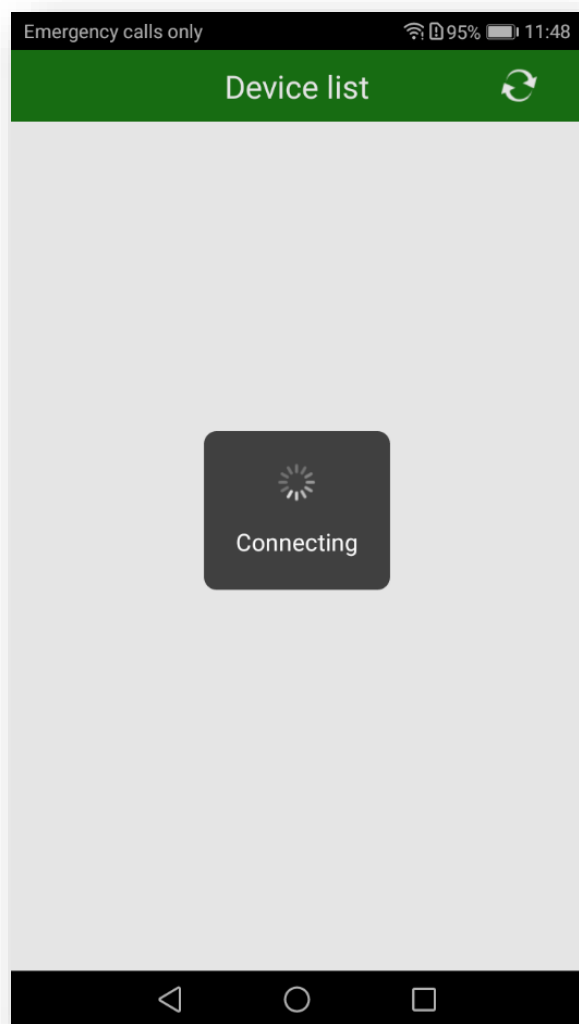
The AC TRIAC RF DIMMER can work by installed iOS or Android application, via a Wi-Fi relay controller.

How to:

1. Turn on Wi-Fi relay controller.
2. Connecting the Wi-Fi controller to **your** network.



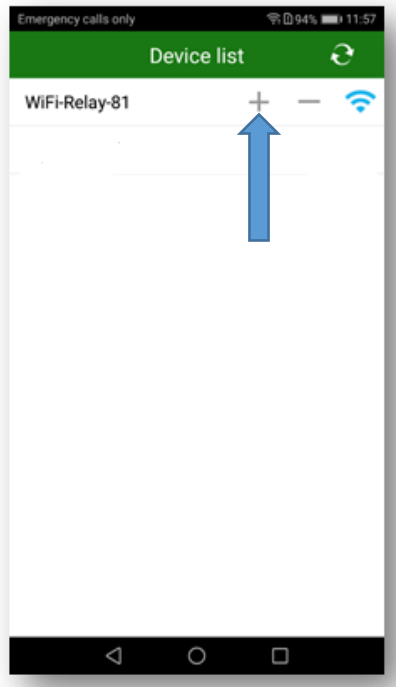
3. Start the “Skydance” app (should be already installed).



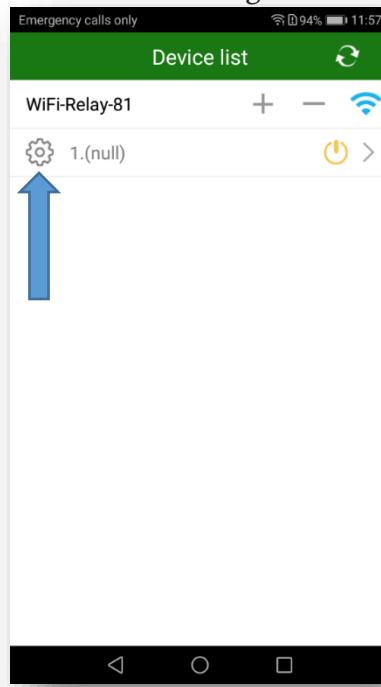
4. Connecting the Wi-Fi relay controller with the **AC TRIAC RF DIMMER**.

#### 4.1. Select the type of device we will command

» Add a device



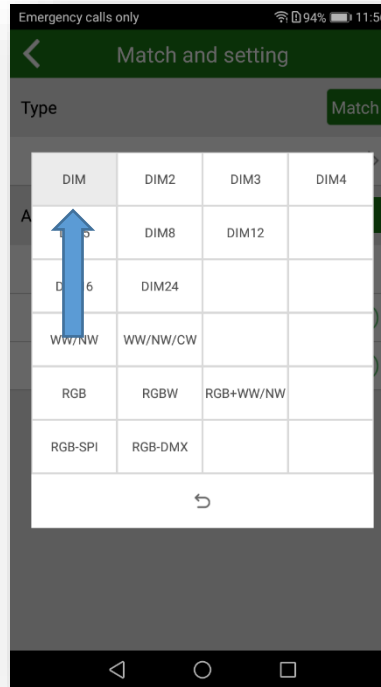
» Settings



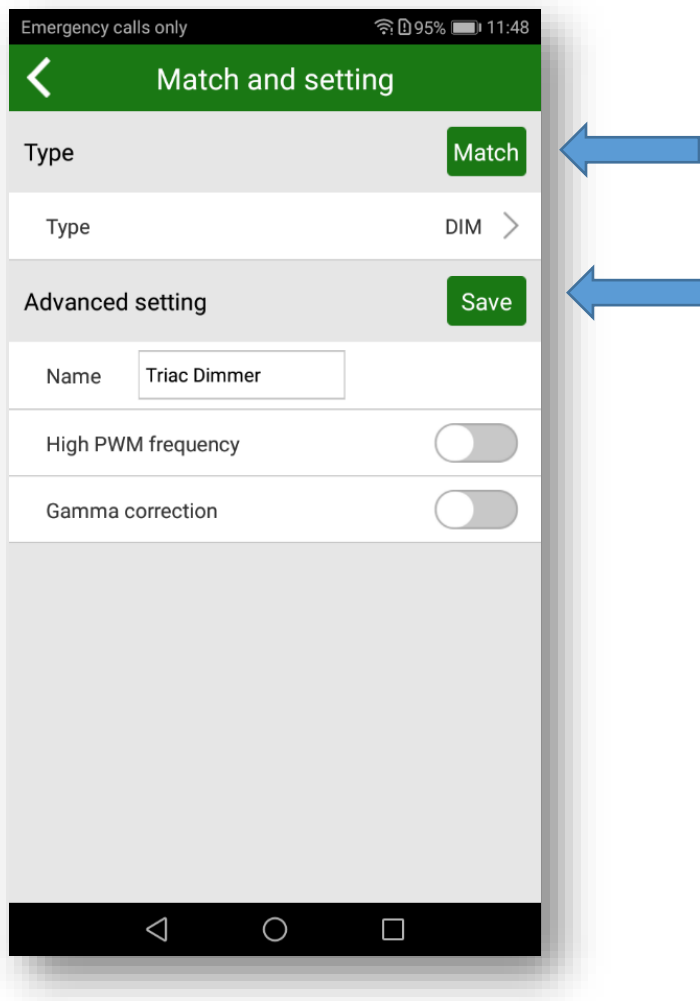
» Drop-down list



» Select



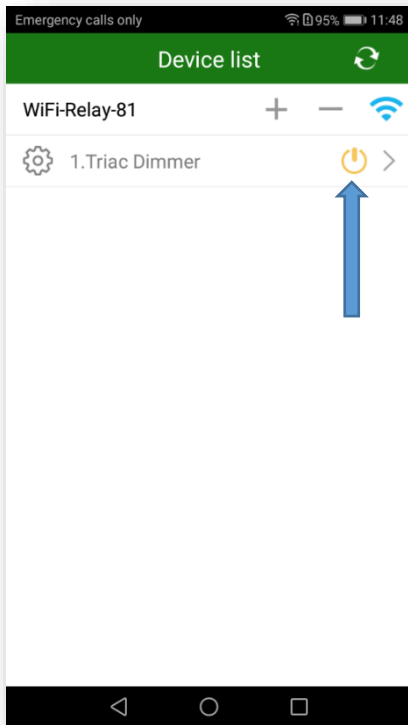
5. To connected Short press Match key and select "Match" on your phone. Press „Save” for finalizing the settings.



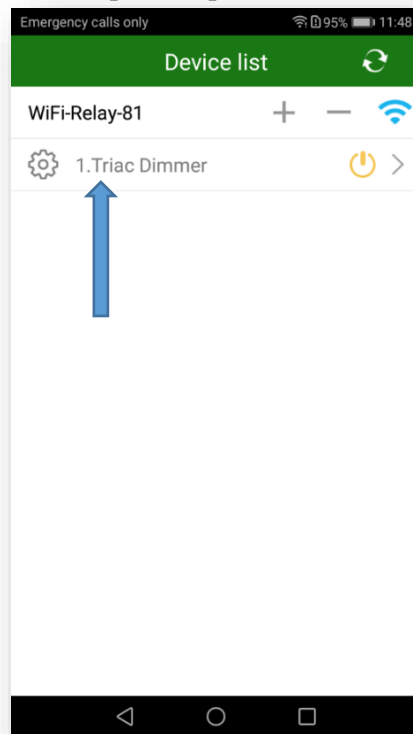
6. Your device is now connected.

## FUNCTIONS:

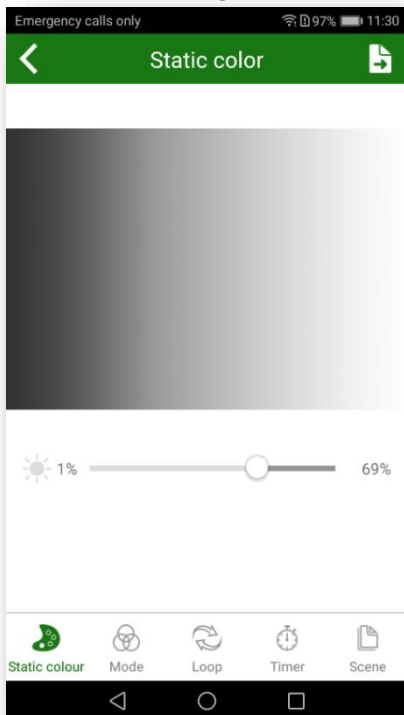
» ON/OFF



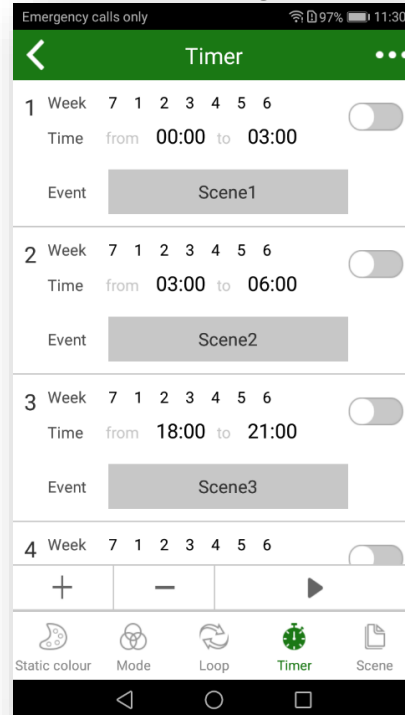
» Open the product menu



» Dimming from 0-100%



» Timer's settings

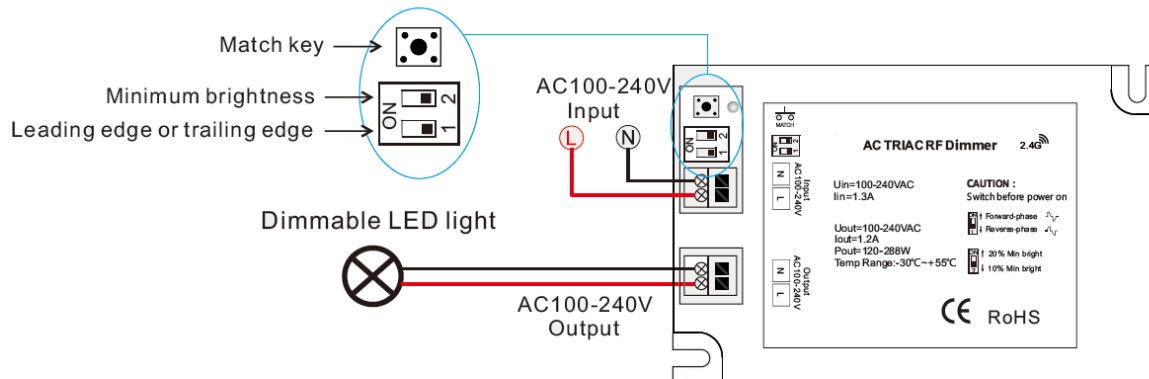


» Select predefined scene

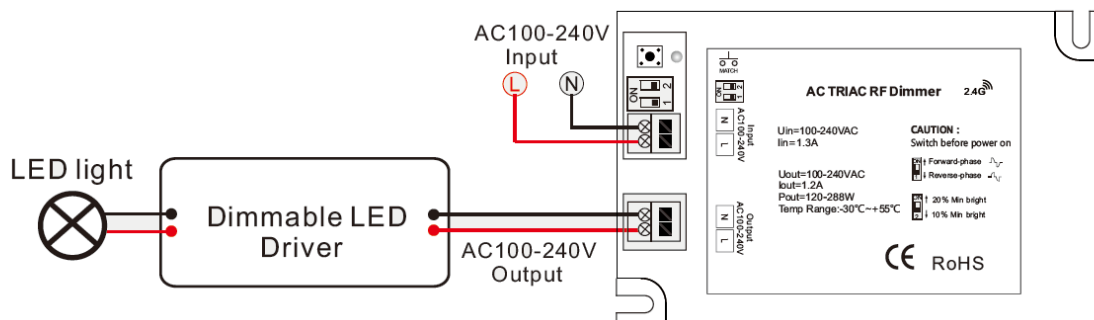


## Wiring diagram:

Connect with dimmable LED light

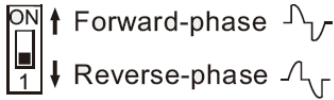


Connect with dimmable LED driver



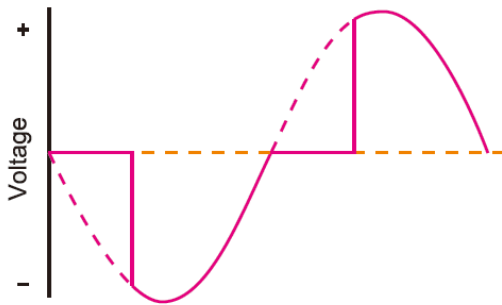


## Dip switch setting:

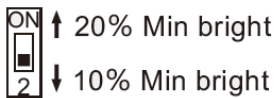
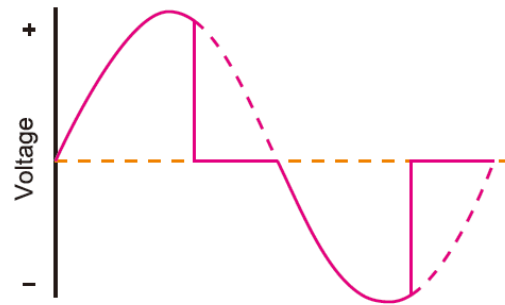


- Select leading edge dimmer or trailing edge dimmer according to your dimmable LED light.

Forward-phase control dimmer(TRIAC)



Reverse-phase control dimmer



- Set 10% Min bright defaultly.
- If the light flick under 10% brightness, you can switch to 20% Min bright to avoid flick.
- If the light still flick under 20% brightness, you need contact saler to customize higher Min bright.

**Caution: before power on, you must confirm the selection of dip switch.**